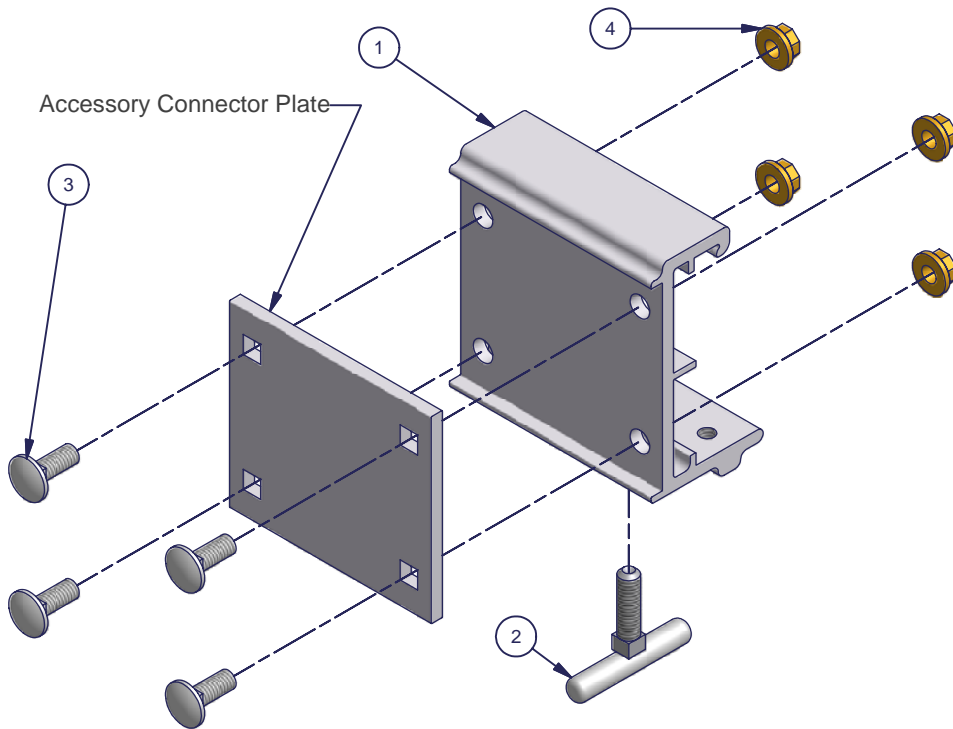


Infinity Dock System RS7 Quick-Connect Accessory Connector



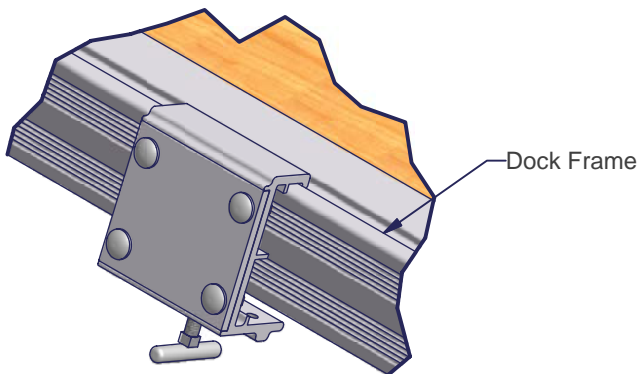
Assembly:

Attach the Accessory Connector Bracket to the Accessory Connector Plate. Secure with four Bolts Carriage 3/8 x 1.0 and four Nuts Flange 3/8.

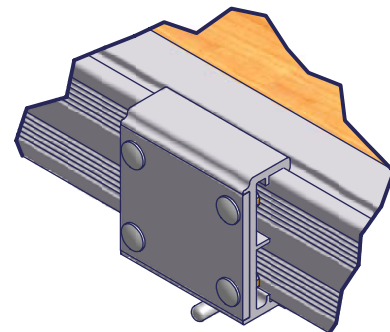
Note: The Accessory Connector Plate is welded to the accessory.

Thread the T-Handle 2.5 - 3/8 x 1.5 into the center hole on the bottom of the Accessory Connector Bracket.

Note: The outer holes on the Accessory Connector Bracket are used when two T-Handles 2.5 - 3/8 x 1.5 are needed. The extra T-Handle will be included where required.



Pivot the top lip of the Accessory Connector Bracket assembly into the Groove on the top of the dock frame - as shown.



Once the Accessory Connector Bracket assembly is in the desired place, tighten the T-Handle 2.5 - 3/8 x 1.5 - as shown.

Note: Be sure to avoid the access holes on the bottom of the dock frame when tightening the T-Bolt.

DARS4QCAB - RS4 QUICK CONNECT ACCESSORY BRACKET W/ BOLT BAG
DARS7QCAB - RS7 QUICK CONNECT ACCESSORY BRACKET W/ BOLT BAG

Parts List			
ITEM	QTY	PART NUMBER	DESCRIPTION
1	1	002015667	Accessory Connector Bracket
-	1	500016017	Bolt Bag - RS Accessory Connector
2	1	600015660	T Handle 2.5 - 3/8 x 1.25
3	4	CS380100B	Bolt Carriage 3/8 X 1.0
4	4	B380FLNUT	Nut Flange 3/8